

Alcor PAR16 Spotlamp - 4W

High-Power Solid-State Lighting

Project Name: _____

Catalog No.: _____

Date: _____

Features



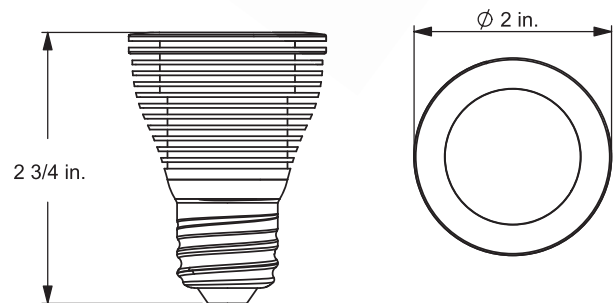
- ENERGY SAVING
- Retrofits 35 Watt halogen PAR16s
- 35,000 hours of continuous light output
- Consumes a fraction of energy than halogen PARs
- Finely tuned optic lens provides solid elliptical beams
- Built-in LED Driver
- Mercury free, lead free, and RoHS compliant
- UL Listed for U.S. and Canada



Product Specifications

LED Type	High-Power 1W LEDs
LED Brand	Cree or Philips
Socket Type	E26 Medium Socket
Power Requirement	120 / 240 VAC (50 / 60 Hz)
Power Consumption	4 Watts
Number of LEDs	3
Hours	35,000 Hrs Maintenance-Free
Beam Angles	25°, 40°, 60°
Color Temperatures	3000K, 4300K, 6000K
Color Rendering Index	75
Rating	Indoor Applications
Housing	Optimized Heat Dissipating Aluminum, Machine-Cut & Silver Satin-Anodized
Lumen Maintenance	70% of Original Light Output @ 35K Hrs
Operating Temp	-40°F (-40°C) to 104°F (40°C)
Warranty	3 Years
Certification	UL Listed (U.S. & Canada) RoHS Compliant

Dimensions



Applications

- PAR Retrofits
- Track Lighting Systems
- Recessed Down Lighting
- Recessed Cans
- Commercial Interiors
- Residential Interiors
- Cabinet Lighting
- Merchandising Displays
- Kitchen & Bath
- Shelves
- Trade Show Exhibits



Alcor PAR16 Spotlamp - 4W

High-Power Solid-State Lighting

Watts	# of LEDs	Voltage	Color Temperature
4	3	120/240 VAC	3000K Warm White
4	3	120/240 VAC	
4	3	120/240 VAC	3000K Warm White
4	3	120/240 VAC	
4	3	120/240 VAC	4300K Neutral White
4	3	120/240 VAC	4300K Neutral White
4	3	120/240 VAC	6000K Cool White
4	3	120/240 VAC	6000K Cool White
4	3	120/240 VAC	6000K Cool White

NOTE:

All specifications and technical information are subject to change without notice. We reserve the right to alter, change or withdraw any of our products without notice.

