

Alcor PAR30 Spotlamp - 11W

High-Power Solid-State Lighting

Project Name: _____

Catalog No.: _____

Date: _____

Features



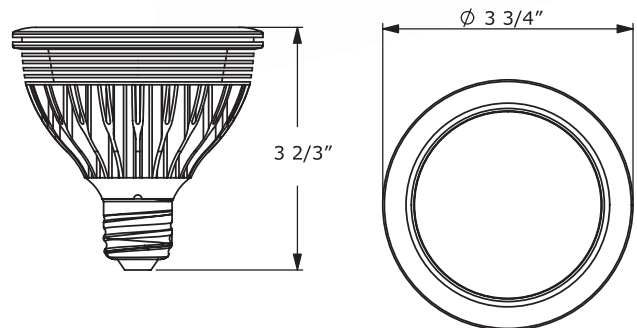
- ENERGY SAVING
- Retrofits 50 Watt halogen PAR30s
- 50,000 hours of continuous light output
- Fully dimmable (optional)
- Consumes a fraction of energy than halogen PARs
- Rated for indoor and outdoor applications
- Finely tuned optic lens provides solid elliptical beams
- Built-in LED Driver
- Mercury free, lead free, and RoHS compliant
- UL Listed for U.S. and Canada



Product Specifications

LED Type	High-Power 1W LEDs
LED Brand	Cree, Philips, or Seoul
Socket Type	E26 Medium Socket
Power Requirement	120 / 240 VAC (50 / 60 Hz)
Power Consumption	11 Watts
Number of LEDs	6
Hours	50,000 Hrs Maintenance-Free
Beam Angles	25°, 40°, 60°
Color Temperatures	3000K, 4300K, 6000K
Color Rendering Index	75
Rating	Indoor / Outdoor Applications
Housing	Optimized Heat Dissipating Aluminum, Machine-Cut & Satin-Anodized
Lumen Maintenance	70% of Original Light Output @ 50K Hrs
Operating Temp	-40°F (-40°C) to 104°F (40°C)
Warranty	3 Years
Certification	UL Listed (U.S. & Canada) RoHS Compliant

Dimensions



Applications

- PAR Retrofits
- Accent Lighting
- Recessed Cans
- Residential Interiors
- Commercial Interiors
- Trade Show Exhibits
- Perimeter Lighting
- Displays
- New Building Construction



Alcor PAR30 Spotlamp - 11W

High-Power Solid-State Lighting

Ordering Information



Alcor PAR30 LED Spotlamps - Non Dimmable

Cat. No.	Watts	# of LEDs	Beam Angle	Voltage	Socket Type	Color Temperature
ALP30011062W	11	6	25°	120/240 VAC	E26 Med	3000K Warm White
ALP30011064W	11	6	40°	120/240 VAC	E26 Med	3000K Warm White
ALP30011066W	11	6	60°	120/240 VAC	E26 Med	3000K Warm White
ALP30011062N	11	6	25°	120/240 VAC	E26 Med	4300K Neutral White
ALP30011064N	11	6	40°	120/240 VAC	E26 Med	4300K Neutral White
ALP30011066N	11	6	60°	120/240 VAC	E26 Med	4300K Neutral White
ALP30011062C	11	6	25°	120/240 VAC	E26 Med	6000K Cool White
ALP30011064C	11	6	40°	120/240 VAC	E26 Med	6000K Cool White
ALP30011066C	11	6	60°	120/240 VAC	E26 Med	6000K Cool White

Alcor PAR30 LED Spotlamps - Dimmable

Cat. No.	Watts	# of LEDs	Beam Angle	Voltage	Socket Type	Color Temperature
ALP30511062W	11	6	25°	120/240 VAC	E26 Med	3000K Warm White
ALP30511064W	11	6	40°	120/240 VAC	E26 Med	3000K Warm White
ALP30511066W	11	6	60°	120/240 VAC	E26 Med	3000K Warm White
ALP30511062N	11	6	25°	120/240 VAC	E26 Med	4300K Neutral White
ALP30511064N	11	6	40°	120/240 VAC	E26 Med	4300K Neutral White
ALP30511066N	11	6	60°	120/240 VAC	E26 Med	4300K Neutral White
ALP30511062C	11	6	25°	120/240 VAC	E26 Med	6000K Cool White
ALP30511064C	11	6	40°	120/240 VAC	E26 Med	6000K Cool White
ALP30511066C	11	6	60°	120/240 VAC	E26 Med	6000K Cool White

NOTE:

All specifications and technical information are subject to change without notice. We reserve the right to alter, change or withdraw any of our products without notice.

