

# Echo Power Supply - 25W

24 VDC - Part No. EPS02424PUV4

Project Name: \_\_\_\_\_

Catalog No.: \_\_\_\_\_

Date: \_\_\_\_\_



## Features

- UL Listed for U.S. and Canada
- 120 - 240 VAC input range
- Plug and Play power supply
- Lightweight
- Portable
- Short circuit protection
- Over-voltage protection



## Product Specifications

Input Voltage	120 - 240 VAC
Input Frequency	50 - 60Hz
Output Voltage	24 VDC
Output Power	25 Watts
Output Current	1 Amp
Operating Temperature	32° to 104° F (-40° - 70° C)
Limited Warranty	1 Year
Certification	UL Listed

## Dimensions

Length: 3 3/4" inches

Width: 2" inches

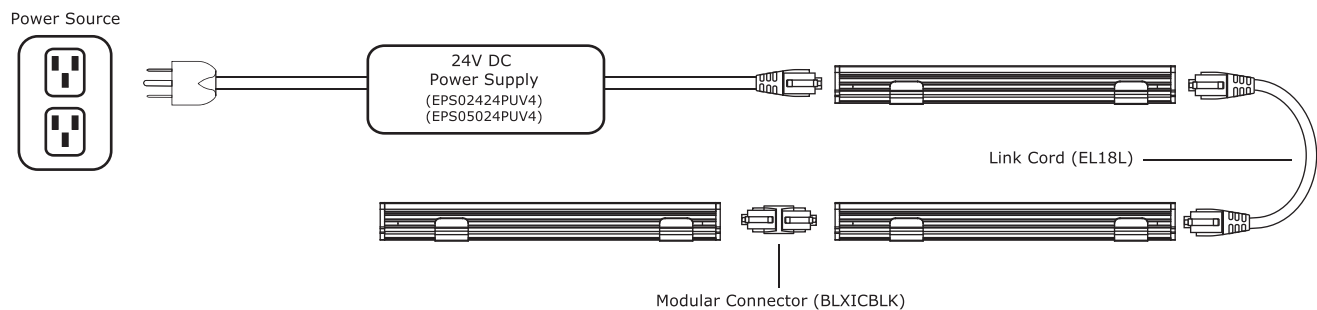
Height: 1 1/4" inches

Cord Length: 72" inches

## Cautions

- For indoor use only
- Risk of electric fire
- Dry location use only

## Installation



All specifications are subject to change without notice.

[www.antareslighting.com](http://www.antareslighting.com)